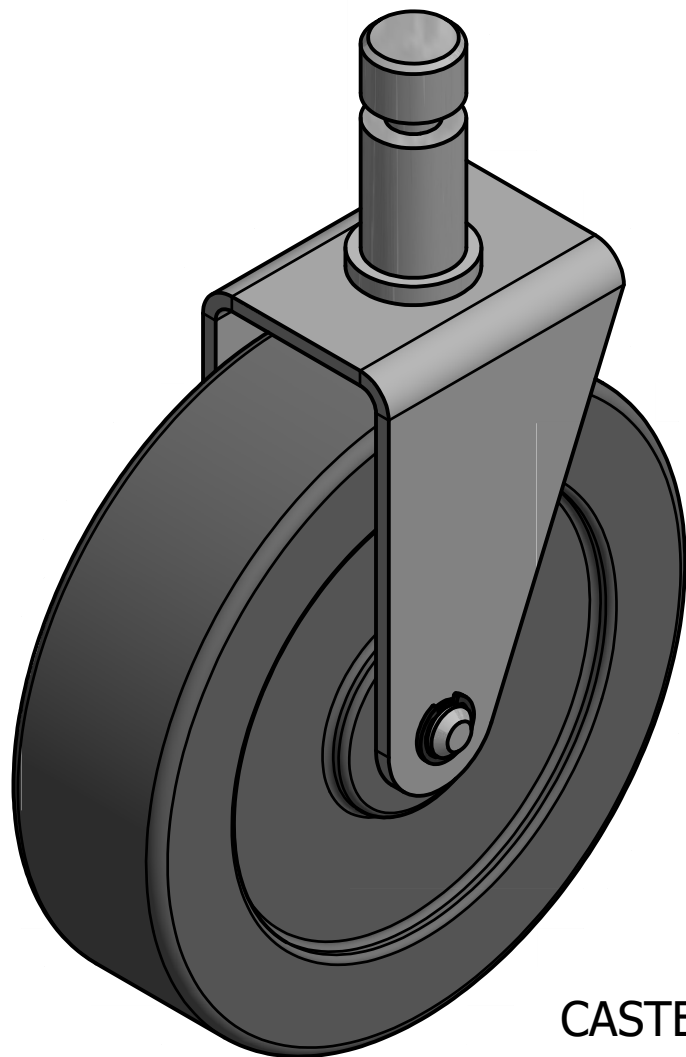


CASTER EXPLODED ASSEMBLY  
SCALE 1 : 1

PARTS LIST					
ITEM	QTY	PART NUMBER	MATERIAL	DESCRIPTION	
1	1	POST	SAE 1112		
2	1	BRACKET	USS STL	13 GA (2.38)	
3	1	SHAFT	SAE 1112		
4	1	WHEEL	HARD RUBBER		
5	1	BUSHING	BRASS		
6	1	RETAINING RING	STEEL	EXT SERIES 5133	



CASTER FULL ASSEMBLY  
SCALE 1 : 1

**LEGEND:**

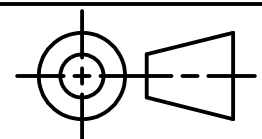
- ∅ DIAMETER
- R RADIUS
- ° DEGREES

**METRIC**



DIGITAL DESIGN  
GRAPHICS  
TECHNOLOGY

WWW.DDGT.NET



TOLERANCES UNLESS SPECIFIED:  
MILLIMETERS:  
WHOLE NUMBERS = ±.5  
X = ±.25  
XX = ±.12

ANGLES ±1 DEGREE

SURFACES  $\checkmark$  32

COURSE: DDGT120

INVENTOR DRAWING NAME:  
CASTER

FIG #: 14-90

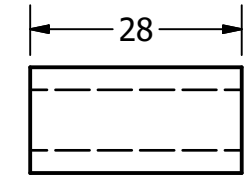
DRAFTER: N. EBELING

DATE: 12/2/2019

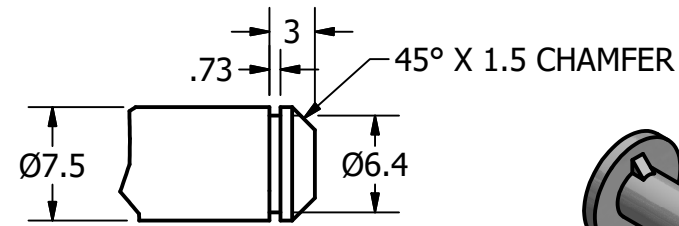
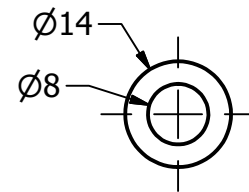
SCALE: AS NOTED

PAGE #: 1 OF 3

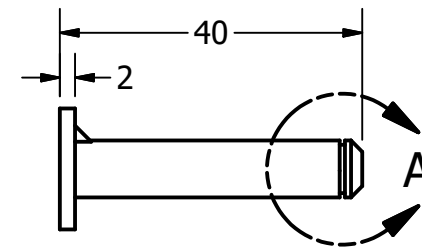
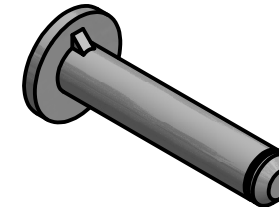
PARTS LIST		
ITEM	QTY	PART NUMBER
1	1	POST
3	1	SHAFT
4	1	WHEEL
5	1	BUSHING



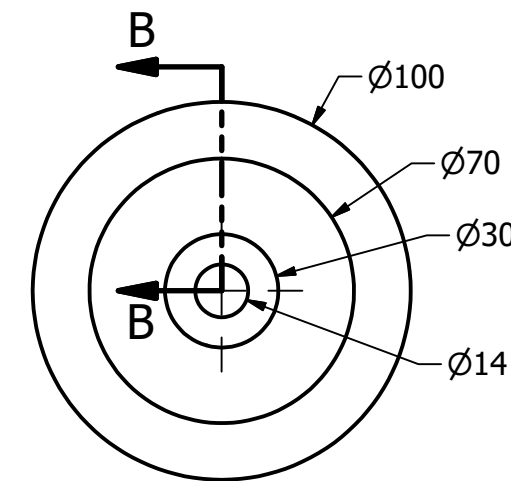
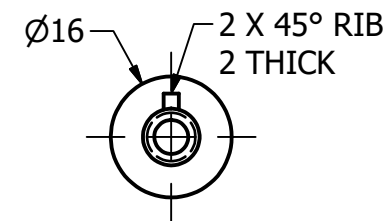
BUSHING  
SCALE 1 : 1



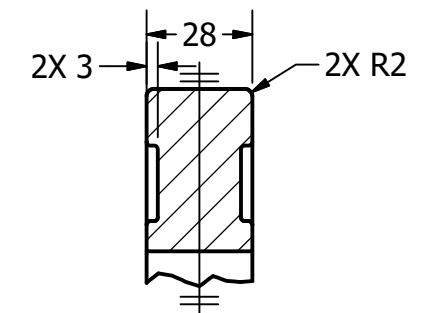
DETAIL A  
SCALE 2 : 1



SHAFT  
SCALE 1 : 1

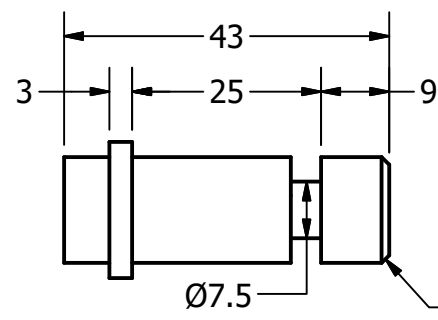


WHEEL  
SCALE 1 / 2

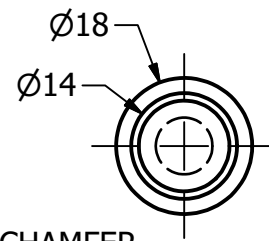


**GENERAL NOTES:**  
ALL FILLETS ON PART "WHEEL" ARE R1 UNLESS OTHERWISE NOTED

SECTION B-B  
SCALE 1 / 2



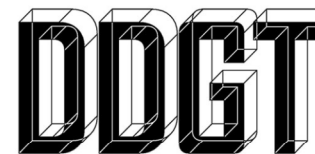
POST  
SCALE 1 : 1



METRIC

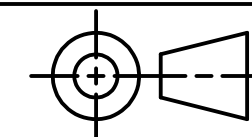
**LEGEND:**

- Ø DIAMETER
- R RADIUS
- ° DEGREES



DIGITAL DESIGN  
GRAPHICS  
TECHNOLOGY

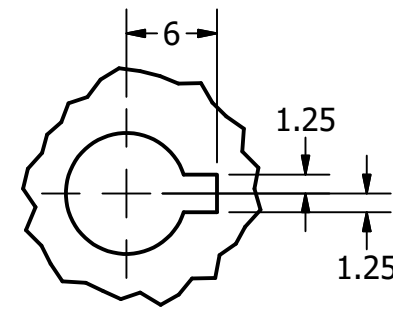
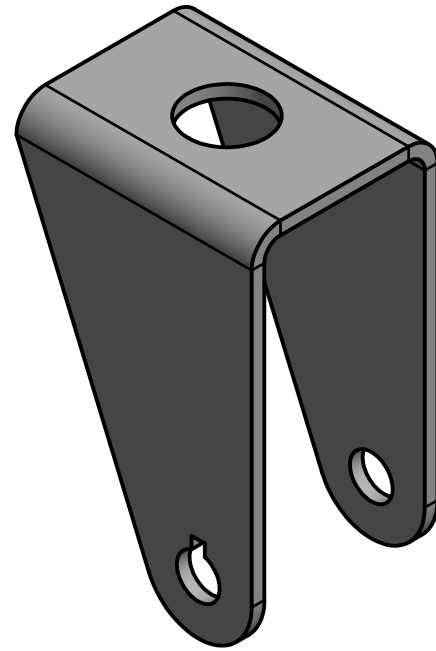
WWW.DDGT.NET



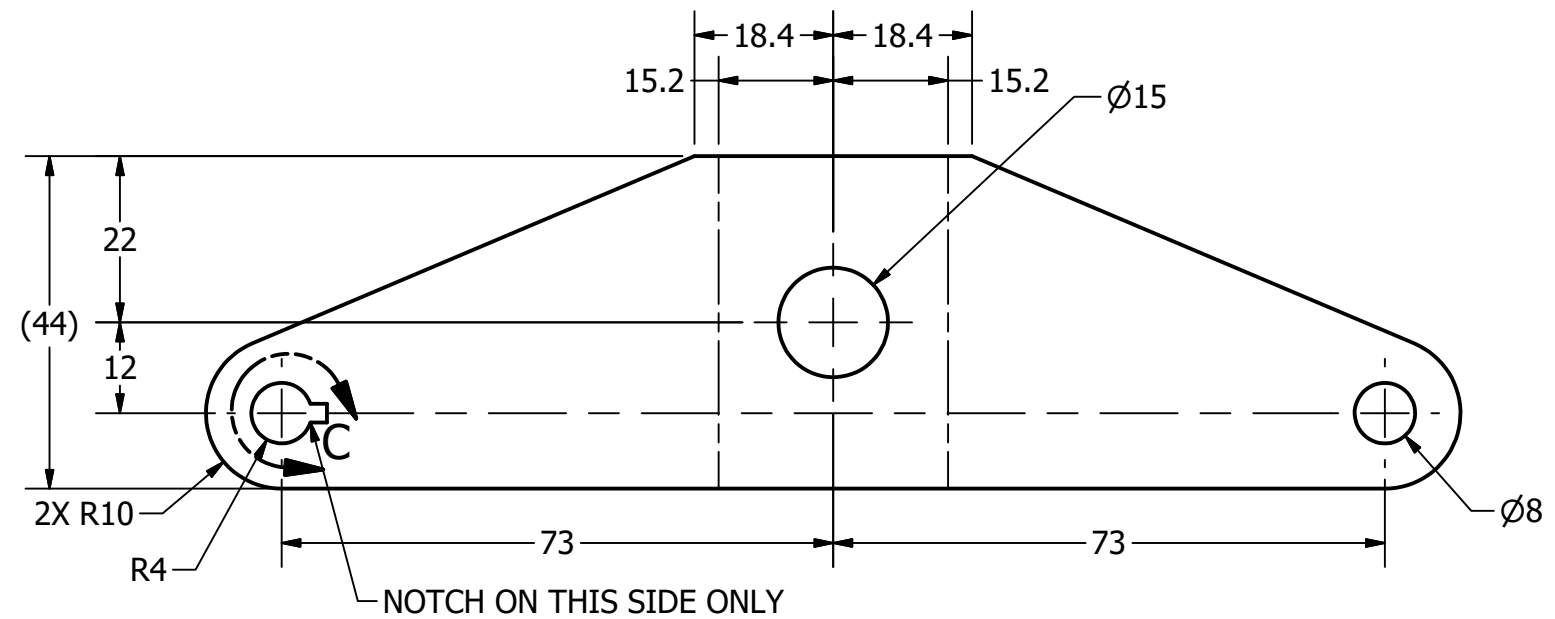
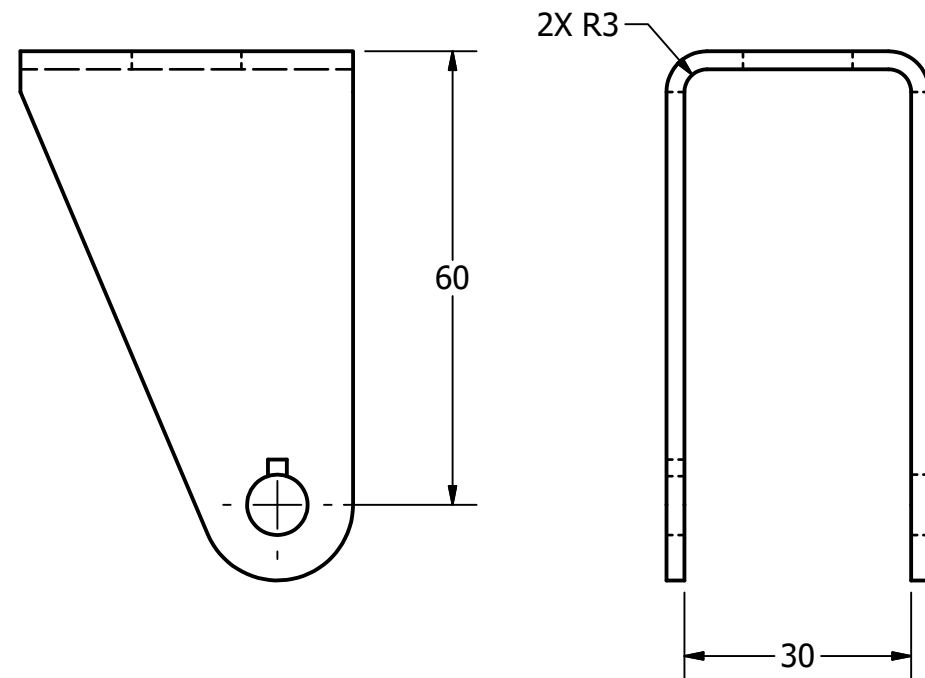
TOLERANCES UNLESS SPECIFIED:  
MILLIMETERS:  
WHOLE NUMBERS = ±.5  
X = ±.25  
XX = ±.12  
ANGLES ±1 DEGREE  
SURFACES 32 ✓

COURSE:	DDGT120
INVENTOR DRAWING NAME:	CASTER
FIG #:	14-90
DRAFTER:	N. EBELING
DATE:	12/2/2019
SCALE:	AS NOTED
PAGE #:	2 OF 3

PARTS LIST		
ITEM	QTY	PART NUMBER
2	1	BRACKET



DETAIL C  
SCALE 2 : 1



BRACKET FLAT PATTERN  
SCALE 1 : 1

METRIC

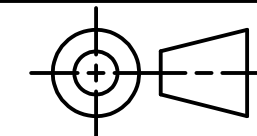
**LEGEND:**

- ∅ DIAMETER
- R RADIUS
- ° DEGREES



DIGITAL DESIGN  
GRAPHICS  
TECHNOLOGY

WWW.DDGT.NET



TOLERANCES UNLESS SPECIFIED:  
MILLIMETERS:  
WHOLE NUMBERS = ±.5  
X = ±.25  
XX = ±.12

ANGLES ±1 DEGREE

SURFACES 32 ✓

COURSE: DDGT120

INVENTOR DRAWING NAME:  
CASTER

FIG #: 14-90

DRAFTER: N. EBELING

DATE: 12/2/2019

SCALE: AS NOTED

PAGE #: 3 OF 3